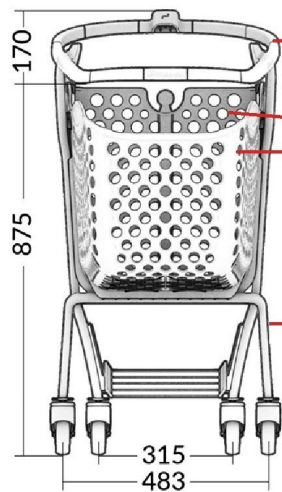
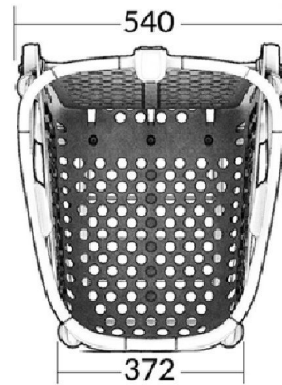
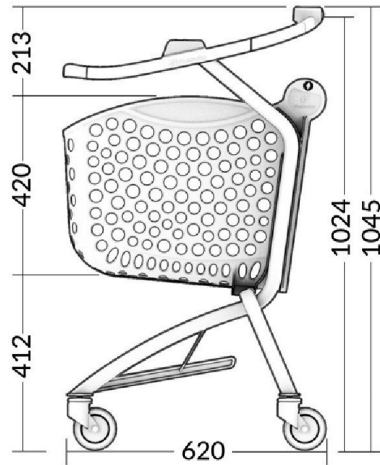


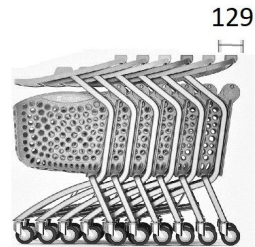
**MODEL twinst BASKET 86L**



**A\***

**B\***

**C\***



**STANDARD EQUIPMENT**

SHELF FOR BOTTLES



HOOK FOR BAGS  
BASKET VERSION ONLY



**OPTIONAL EQUIPMENT**

COIN LOCK



SCANNER HOLDER



**AVAILABLE COLOURS**

HANDLE COLOURS



BASKET COLOUR



CHASSIS COLOUR



TYPE	*RAW MATERIAL	WEIGHT
TWINST BASKET SAVE the SEA	A = PA 15% GF (Polyamide) - 100% from industrial recycling B = PP 15% GF (Polypropylene) - 100% recycled (70% sea cleaning + 30% industrial recycling) C = Steel frame zinc coated + powder painted RAL 9007	14,9 kg
TWINST BASKET EKO BLACK	A = PA 15% GF (Polyamide) - 100% from industrial recycling B = PP 15% GF (Polypropylene) - 100% from industrial recycling C = Steel frame zinc coated + powder painted RAL 9007	14,9 kg