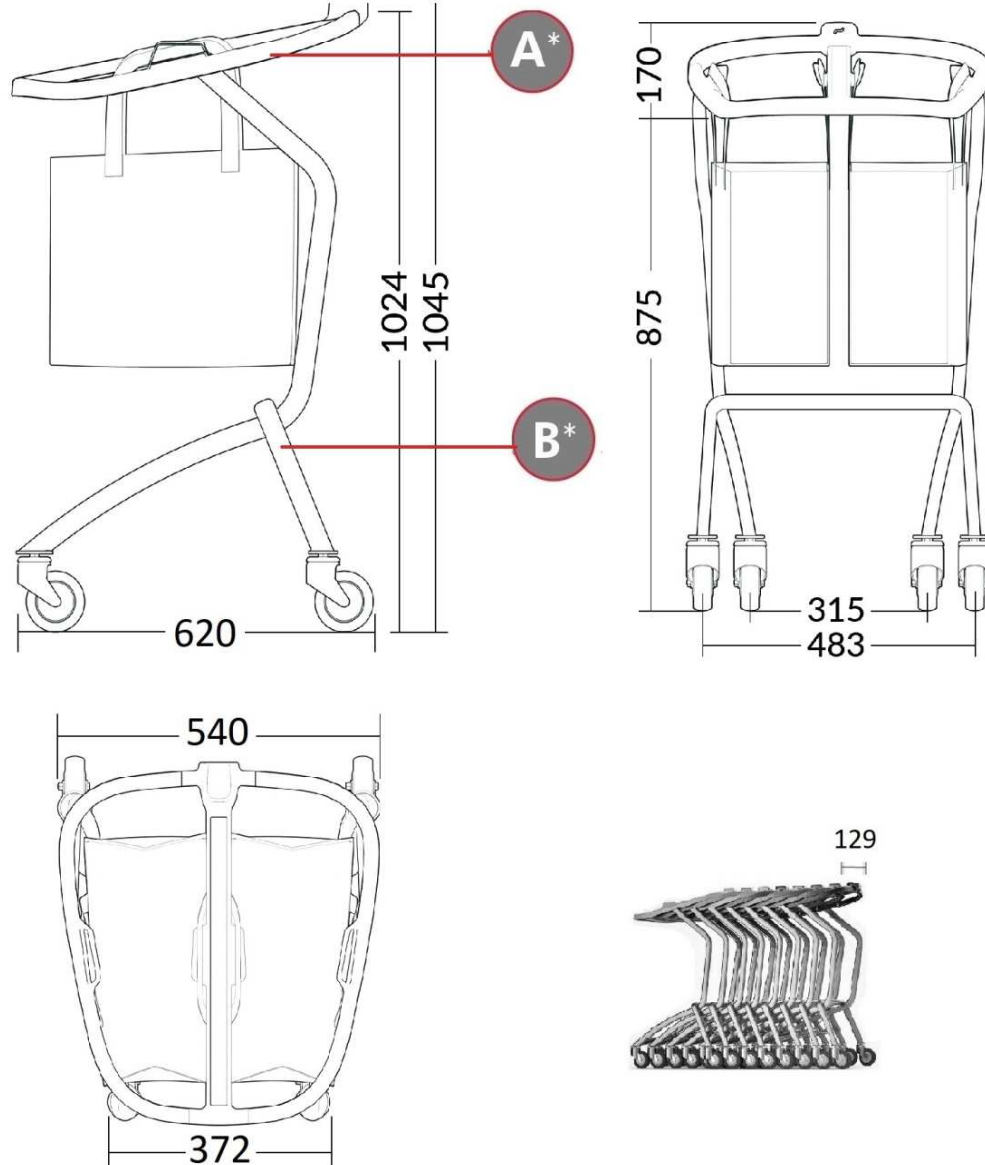
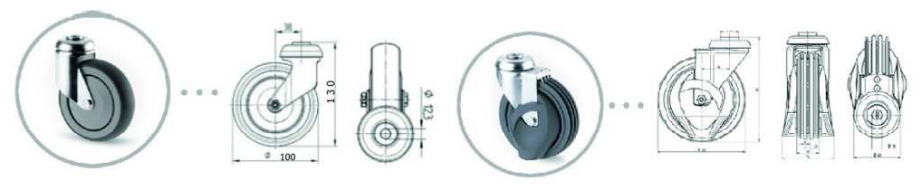


MODEL twinst BAG



STANDARD CASTOR 100 mm TRAVELATOR CASTOR 125 mm



STANDARD EQUIPMENT HANDLE COLOURS CHASSIS COLOUR

SHELF FOR BOTTLES



OPTIONAL EQUIPMENT

COIN LOCK



SCANNER HOLDER



SMARTPHONE HOLDER



TYPE ***RAW MATERIAL** **WEIGHT**

BAG A = PA 15% GF (Polyamide) - 100% from industrial recycling
B = Steel frame zinc coated + powder painted RAL 9007 **10,7 kg**