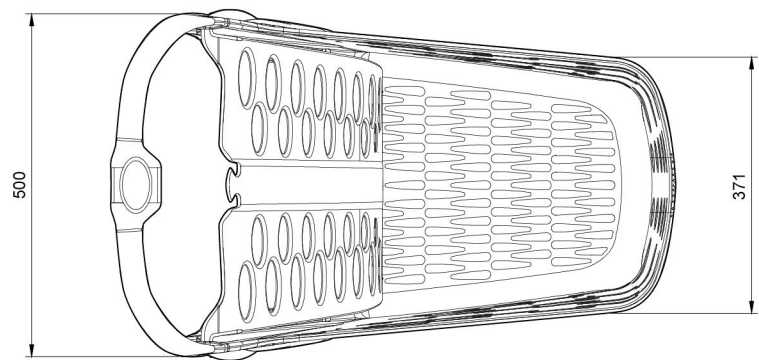
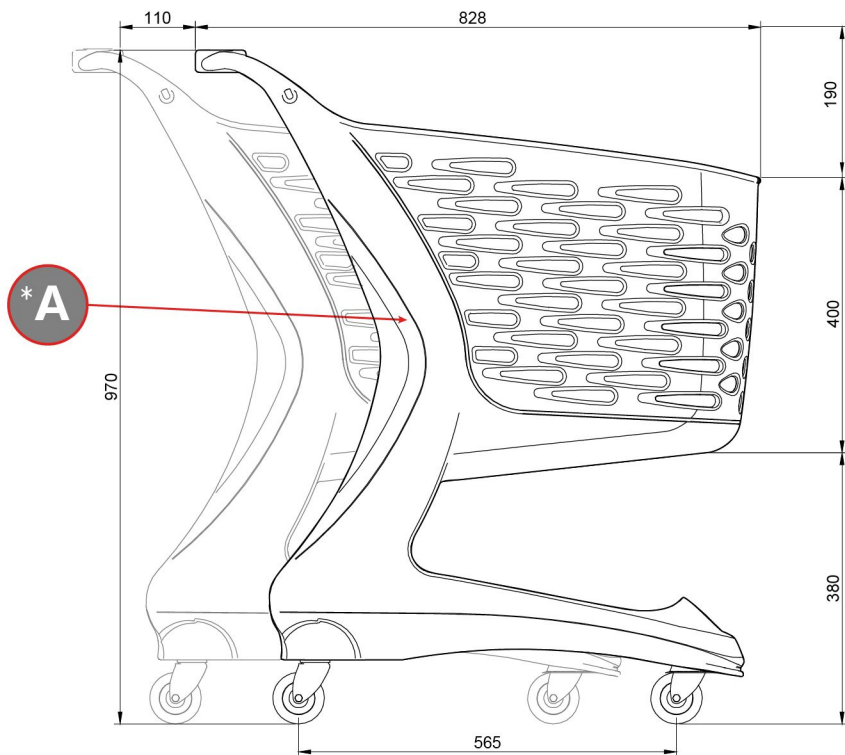
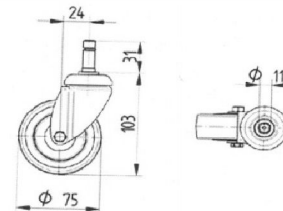


# MODEL 80L MINI



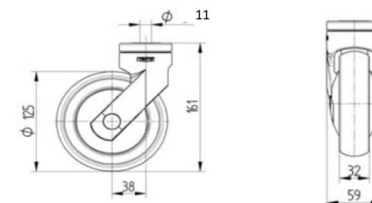
## STANDARD CASTOR

Ø 75 MM



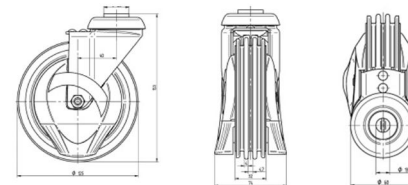
## SYNTHETIC CASTOR

Ø 100 MM  
Ø 125 MM



## TRAVELATOR CASTOR

Ø 125 MM



| TYPE         | *RAW MATERIAL                     | WEIGHT     |
|--------------|-----------------------------------|------------|
| BASIC 80 L   | A = PP 15% GF<br>(Polypropylene)  | kg<br>8,4  |
| EKO 80 L     | A = PP 15% GF<br>(>75% Recyclate) | kg<br>8,4  |
| GLAMOUR 80 L | A = PC<br>(Polycarbonate)         | kg<br>10,4 |