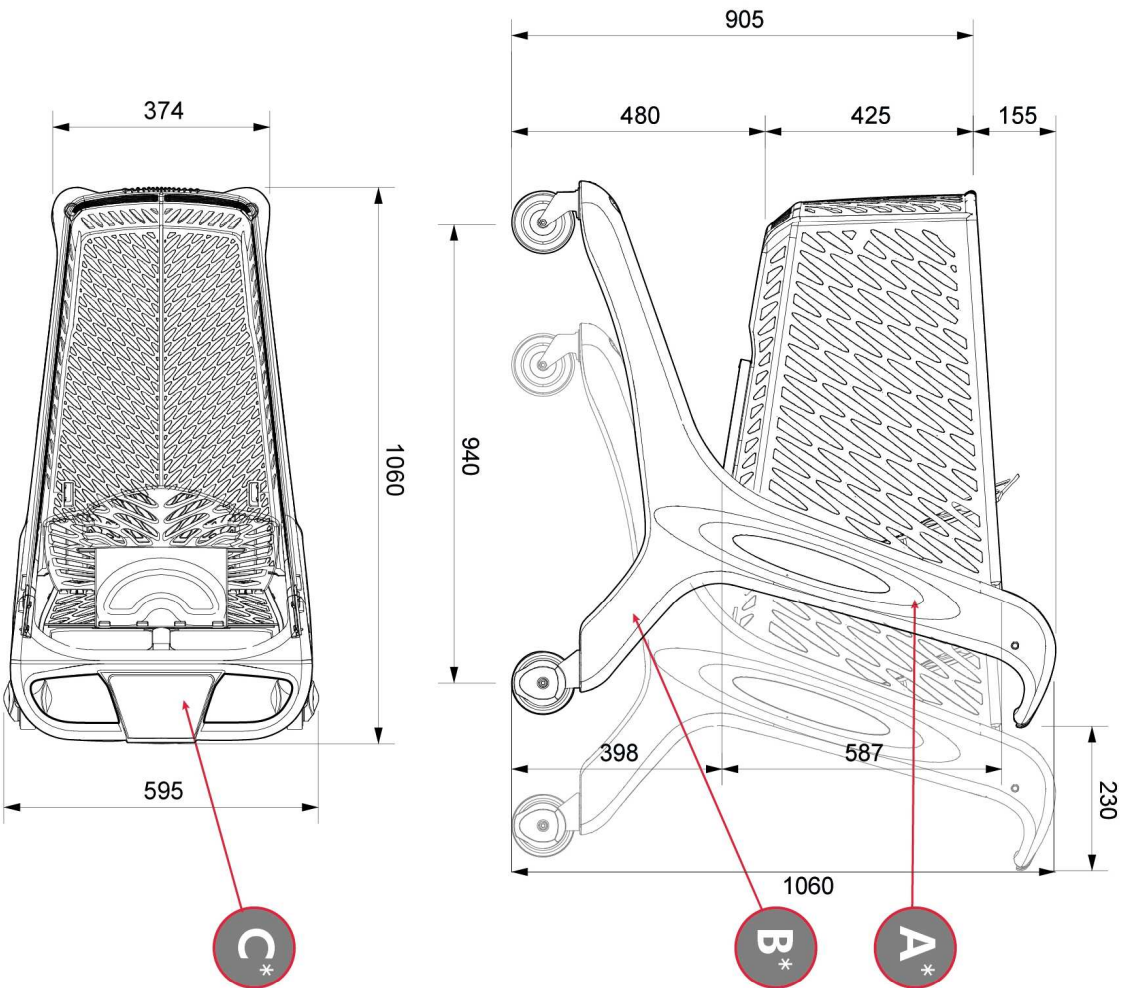


MODEL 160L MIDI



STANDARD CASTOR



...

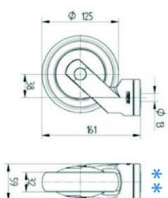
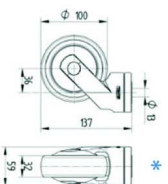


Ø 100 MM

SYNTHETIC CASTOR



...

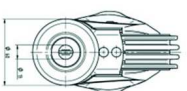
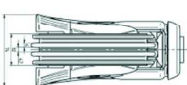
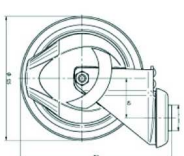


Ø 100 MM
Ø 125 MM

TRAVELATOR CASTOR



...



Ø 125 MM

TYPE

*RAW MATERIAL

WEIGHT

MIDI 160 L
BASIC

A = PC (Polycarbonate)
B = PA 15% GF (Polyamide)
C = PP 20% T (Polipropylene)

kg
20,2

MIDI 160 L
EKO

A = PC (Polycarbonate)
B = PA 15% GF (Polyamide recylclate)
C = PP 20% T (Polypropylene recylclate)

kg
20,2